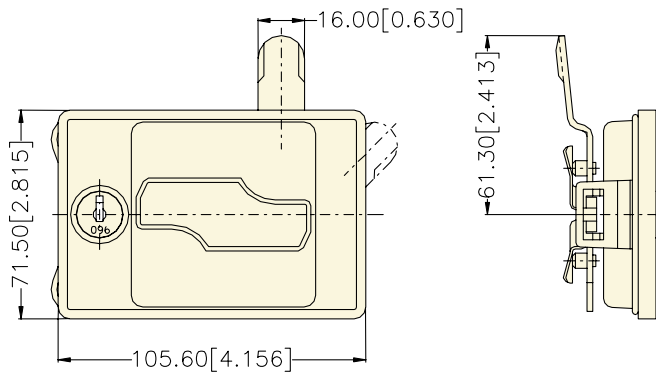


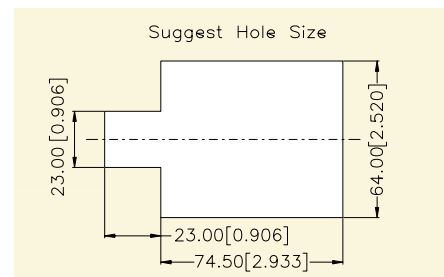
Cabinet Locks



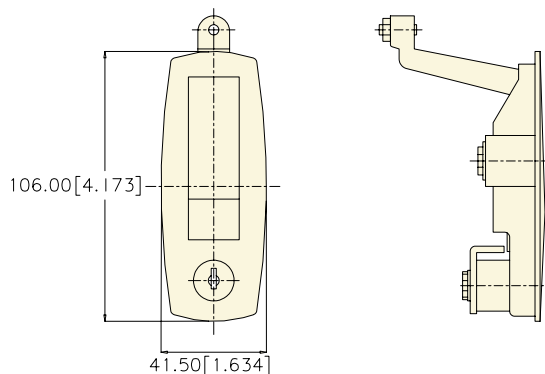
FL201 Series



- [Specifications]**
- Zinc alloy die cast body, handle and cylinder.
 - Bright black painted standard.
 - 5 disc tumbler mechanism.
 - Cylinder capped with stainless steel cover.
 - Multi-point cam lever rotation angle 45 ° CW.
 - Cylinder rotation angle 180 ° CW.
 - Available for K/A or K/D 200 combinations.
- [Accessories]**
- 2 single bitted brass keys.
 - 1 multi-point cam lever, zinc plated.
 - 1 square spring frame.
- [Specific Use]**
- File cabinet and case.
- [Options]**
- Double bitted keys with plastic cover.
 - Cam lever style.



FL418 Series



- [Specifications]**
- Zinc alloy die cast housing and cylinder.
 - Bright chrome plated standard.
 - 5 disc tumbler mechanism camlock.
 - Cylinder capped with stainless steel cover.
 - Special cam lever rotation angle 90° CCW.
 - Cylinder rotation angle 90° CCW.
 - Available for K/A or K/D 200 combinations.
- [Accessories]**
- 2 single bitted brass keys.
 - 1 cam special lever, zinc plated.
- [Specific Use]**
- Suitable for electrical control case and other special devices.
- [Options]**
- Double bitted keys with plastic cover
 - Cam lever style.

