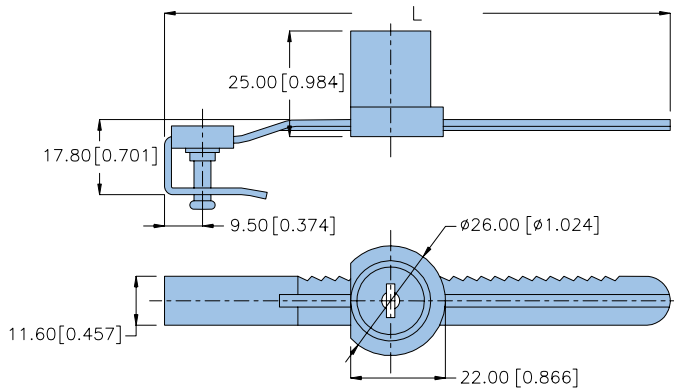


Showcase Locks



G128 Series

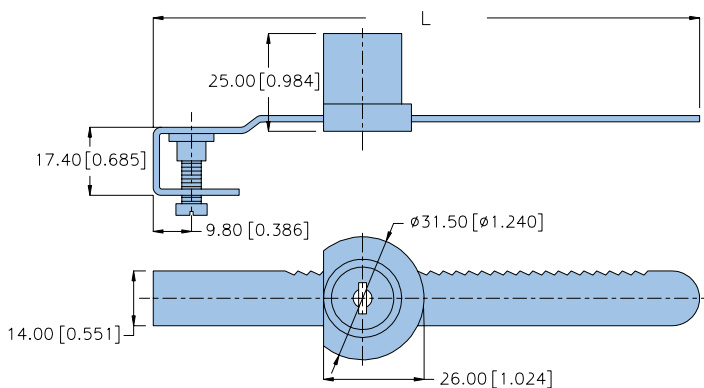


Item No.	Locking Rack Length
G128-12	120mm
G128-14	140mm
G128-16	160mm

- [Specifications]**
- Zinc alloy die cast .
 - Bright Chrome plated standard
 - 5 disc tumbler mechanism.
 - Rotation angle 180°.
 - Locking rack 120mm, 140mm or 160mm.
 - Available for K/A or K/D 200 combinations.
- [Accessories]**
- Double bitted brass keys.
- [Specific Use]**
- Suitable for show case and cabinets.
- [Options]**
- Double bitted keys with plastic cover.
 - Other finish.



G168 Series



Item No.	Locking Rack Length
G128-14	140mm
G128-16	160mm

- [Specifications]**
- Zinc alloy die cast .
 - Bright Chrome plated standard
 - 5 disc tumbler mechanism.
 - Rotation angle 180°.
 - Locking rack 140mm or 160mm.
 - Available for K/A or K/D 200 combinations.
- [Accessories]**
- Double bitted brass keys.
- [Specific Use]**
- Suitable for show case and cabinets.
- [Options]**
- Double bitted keys with plastic cover.
 - Other finish.